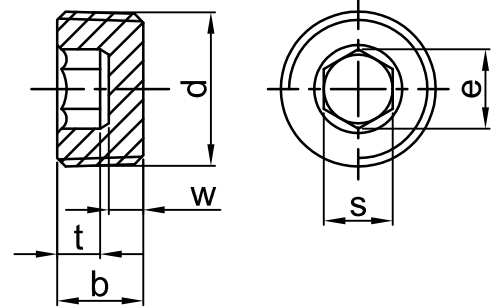


**DIN906**

Parker:

Eaton:

Brennan:



Approximate mass  
(7.85kg/dm<sup>3</sup>)  
per 1000 units,  
in kg

ACEI item.#	Thread size(d)	b js16	e min	s D12	t min	w min	Approximate mass (7.85kg/dm <sup>3</sup> ) per 1000 units, in kg
HU1SPD906M0810	M8X1.0	8	4.6	4	4	2	2.07
HU1SPD906M1010	M10X1.0	8	5.7	5	4	2	3.38
HU1SPD906M1215	M12X1.5	10	6.9	6	5	2	6.10
HU1SPD906M1415	M14X1.5	10	8	7	5	2	8.10
HU1SPD906M1615	M16X1.5	10	9.2	8	5	2	11.0
HU1SPD906M1815	M18X1.5	10	9.2	8	5	2	14.6
HU1SPD906M2015	M20X1.5	10	11.4	10	5	2	17.6
HU1SPD906M2215	M22X1.5	10	11.4	10	5	2	22.0
HU1SPD906M2415	M24X1.5	12	13.7	12	6	2	30.8
HU1SPD906M2615	M26X1.5	12	13.7	12	6	2	38.6
HU1SPD906M3015	M30X1.5	12	19.4	17	6	2	44.0
HU1SPD906M3615	M36X1.5	15	21.7	19	7.5	3	85.2
HU1SPD906M3815	M38X1.5	15	21.7	19	7.5	3	94.4
HU1SPD906M4215	M42X1.5	18	25.2	22	11.5	3	135
HU1SPD906M4515	M45X1.5	18	25.2	22	11.5	3	167
HU1SPD906M4815	M48X1.5	20	27.4	24	11.5	4	214
HU1SPD906M5215	M52X1.5	20	27.4	24	11.5	4	253
HU1SPD906M2720	M27X2.0	12	13.7	12	6	2	40.2
HU1SPD906M3020	M30X2.0	12	19.4	17	6	2	44.0
HU1SPD906M3320	M33X2.0	12	19.4	17	6	2	57.5
HU1SPD906M3620	M36X2.0	15	21.7	19	7.5	3	85.2
HU1SPD906M3920	M39X2.0	15	21.7	19	7.5	3	103
HU1SPD906M4220	M42X2.0	18	25.2	22	11.5	3	135
HU1SPD906M4520	M45X2.0	18	25.2	22	11.5	3	167
HU1SPD906M4820	M48X2.0	20	27.4	24	11.5	4	214
HU1SPD906M5220	M52X2.0	20	27.4	24	11.5	4	253
HU1SPD906M5620	M56X2.0	22	36.6	32	13	4	274
HU1SPD906M6020	M60X2.0	22	36.6	32	13	4	350
HU1SPD906R0125	R1/8	8	5.7	5	4	2	3.38
HU1SPD906R0250	R1/4	10	8	7	5	2	7.00
HU1SPD906R0375	R3/8	10	9.2	8	5	2	12.2
HU1SPD906R0500	R1/2	10	11.4	10	5	2	19.0
HU1SPD906R0750	R3/4	12	13.7	12	6	2	40.2
HU1SPD906R1000	R1	12	19.4	17	6	2	57.5
HU1SPD906R1250	R1 1/4	18	25.2	22	11.5	3	135
HU1SPD906R1500	R1 1/2	20	27.4	24	11.5	4	214
HU1SPD906R2000	R2	22	36.6	32	13	4	350